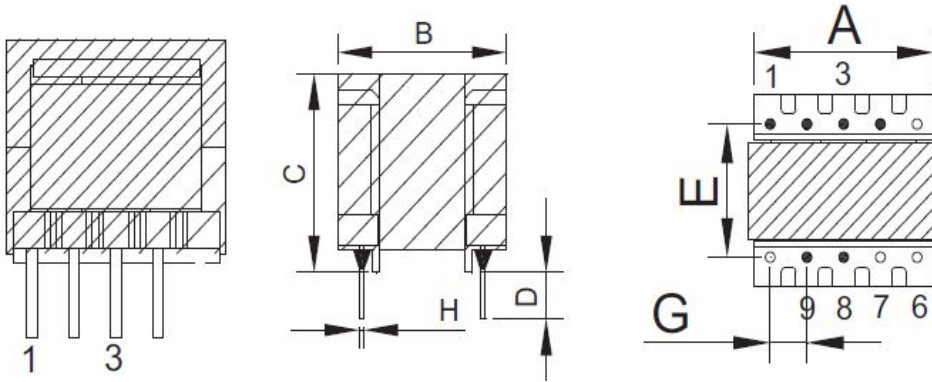


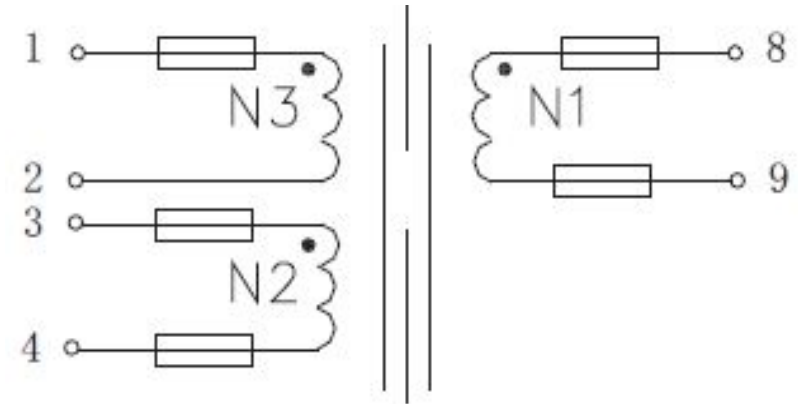
|                   |      |               |
|-------------------|------|---------------|
| CUSTOMER TERMINAL | ROHS | Lead(Pb)-free |
|                   | YES  | YES           |

## 1. Mechanical Dimensions



|   |      |      |
|---|------|------|
| A | 14.5 | MAX  |
| B | 14.0 | MAX  |
| C | 15.0 | MAX  |
| D | 3.5  | ±0.5 |
| E | 8.5  | ±0.4 |
| G | 2.5  | ±0.3 |
| H | 0.60 | ±0.1 |

## 2. Schematic Diagram



## 3. Material List

Core:FW44 EE13/12/6  
 Bobbin:FWB1302(5+5PIN)  
 Wire:2UEW TIW  
 Operating Temperature: -30 to115 °C

## 4. Electrical Specification

Inductance:L(8-9):3mH min100KHZ 、 0.6V  
 DCR : (8-9)=1.07Ω MAX  
 Hi-Pot:P-S: AC 60Hz 3000V 1mA 3S  
 P-CORE:AC 60Hz 1200V 1mA 3S

|      |       |                          |      |                |          |                    |                           |
|------|-------|--------------------------|------|----------------|----------|--------------------|---------------------------|
| REV. | DATE  | <br>Convention Placement | DRW. | Drawing Title: | Part No: |                    |                           |
| 0    | 00/00 |                          | CHK. |                |          | <b>TRANSFORMER</b> | FWPTEE13V302N             |
|      |       |                          | APP. |                |          | Customer P/N       | Specification Sheet 1of 1 |

**ROHS**

[www.ferriwo.com](http://www.ferriwo.com)